

Solenoid Pump CSM Series (TYPE SV)

Model: CSM-04035 SV

SV

Self-priming at counter working pressure

PRODUCT INFORMATION

Pump Design Solenoid (Piston) Pump
Insulation Class "F" for TUV, Class "H" for UL&cUL
Net Weight 0.135 Kg
Outlet Connector Thread G1/8"
Self-priming 0-3 Bar
Recognition TUV , UL&cUL

PERFORMANCE SPECIFICATIONS

COIL

- CSM-E 04035 SV..... 220-240 VAC, 50/60Hz, 22W
- CSM-U 04035 SV..... 120 VAC, 60Hz, 22W
- CSM-J 04035SV..... 100 VAC, 50/60Hz, 22W
- CSM-K 04035 SV..... 220 VAC, 60Hz, 22W

Flow rate at 0 bar..... 120 cc/min
Obstructed pressure 3.5 Bar (50.75 PSI)

Laboratory test condition

- ED:100%, Ta:60°C, Tf:35°C
- ED100%: work continuously
- Ta: Ambient temperature
- Tf: Temperature of fluid water

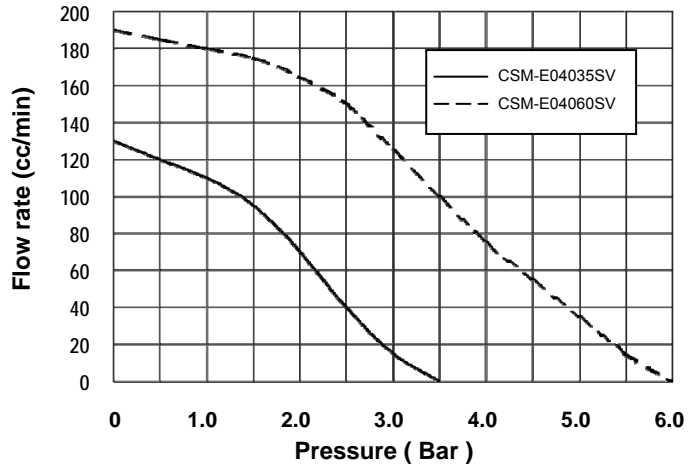
Suitable to dry-use only during priming

APPLICATIONS

- Espresso coffee machine
- Steam generator
- Steam Iron
- Steam vacuum cleaner
- Disco smoke generator

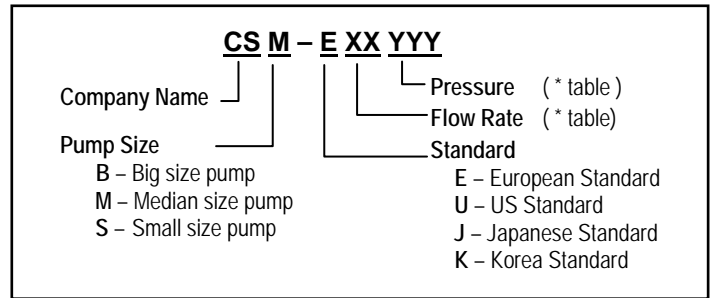
PRESSURE - FLOW RATE CURVE

Model: CSM-04035 SV



Note : - All the performance are intended with a tolerance ± 15%
 - Water 20°C, Ambient 25°C

STANDARD MODEL NUMBERING SYSTEM

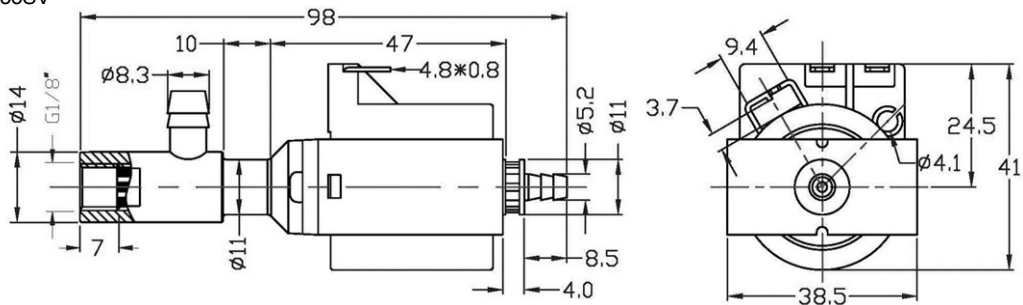


* Table
 XX - The Code of Flow Rate (FR) Table, YYY - The Code of Pressure (bar) table

XX YYY	FR (cc/min)	type	Pressure (BAR)
04035	120	SV	3.5
04060	180	SV	6.0

Mechanical Drawing & Dimension

Model: CSM-04035SV



華星企業香港有限公司
 China Star Enterprise Hong Kong Ltd.
 中山華通五金塑料制品有限公司

地址：香港柴灣新業街 8 號八號商業廣場 8 樓 801 室
 深圳代表处：深圳市南山科技园，科智西路 5 号，25 栋二段三楼 518057
 Add: 3/F, 25# Building, 5 Kezhixi Rd. Science Park, Nanshan District, Shenzhen, PRC 518057
 Tel: (86) 0755-2661 5378 Fax: (86) 0755-2661 5758
 www.solenoidpump.com.cn marketing@micropump.com.cn
 www.micropump.com.cn