

# Solenoid Pump CSM Series (TYPE SV)

Model: CSM-04060 SV

SV

**Self-priming at counter working pressure**

## PRODUCT INFORMATION

**Pump Design** ..... Solenoid (Piston) Pump  
**Insulation** ..... Class "F" for TUV, Class "H" for UL&cUL  
**Net Weight** ..... 0.154 Kg  
**Outlet Connector** ..... Thread G 1/8"  
**Self-priming** ..... 0-4.5 Bar  
**Recognition** ..... TUV , UL&cUL

## PERFORMANCE SPECIFICATIONS

### COIL

- CSM-E04060 SV..... 220-240 VAC, 50/60Hz, 22W
- CSM-U04060 SV..... 120 VAC, 60Hz, 22W
- CSM-J04060 SV..... 100 VAC, 50/60Hz, 22W
- CSM-K04060 SV..... 220 VAC, 60Hz, 22W

**Flow rate at 0 bar**..... 180cc/min

**Obstructed pressure** ..... 6 Bar (87PS)

### Laboratory test condition

- ED:100%, Ta:60°C, Tf:35°C
- ED100%: work continuously
- Ta: Ambient temperature
- Tf: Temperature of fluid water

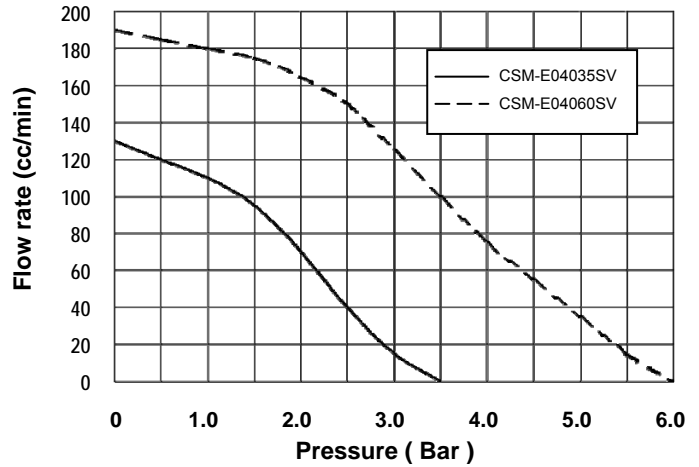
**Suitable to dry-use only during priming**

## APPLICATIONS

- Espresso coffee machine
- Steam generator
- Steam Iron
- Steam vacuum cleaner
- Disco smoke generator

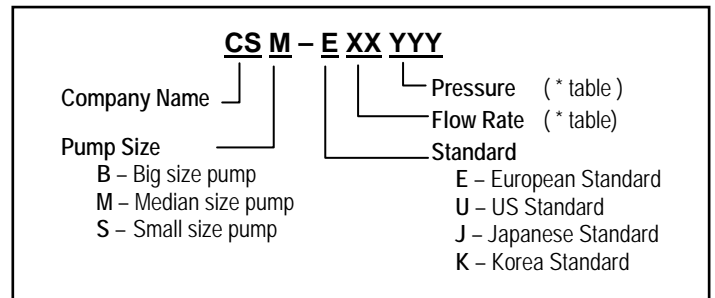
## PRESSURE - FLOW RATE CURVE

Model: CSM-04060 SV



Note : - All the performance are intended with a tolerance  $\pm 15\%$   
 - Water 20°C, Ambient 25°C

## STANDARD MODEL NUMBERING SYSTEM

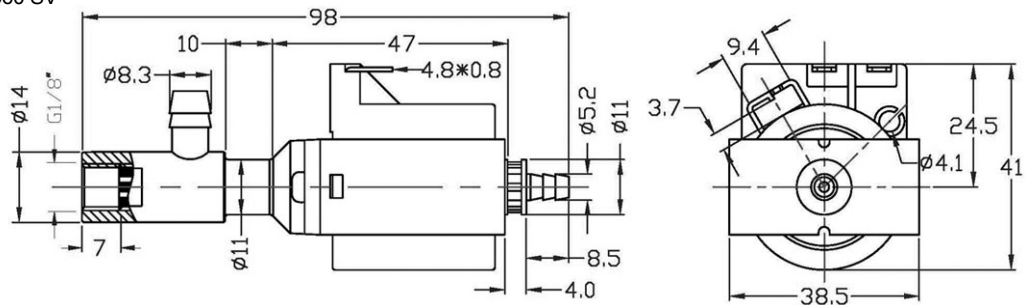


\* Table  
 XX - The Code of Flow Rate (FR) Table, YYY - The Code of Pressure (bar) table

| XX YYY | FR (cc/min) | type | Pressure (BAR) |
|--------|-------------|------|----------------|
| 04035  | 120         | SV   | 3.5            |
| 04060  | 180         | SV   | 6.0            |

## Mechanical Drawing & Dimension

Model: CSM-04060 SV



Dimensions: millimeters



**華星企業香港有限公司**  
 China Star Enterprise Hong Kong Ltd.  
 中山華通五金塑料制品有限公司

地址：香港柴灣新業街 8 號八號商業廣場 8 樓 801 室  
 深圳代表处：深圳市南山科技园，科智西路 5 号，25 栋二段三楼 518057  
 Add: 3/F, 25# Building, 5 Kezhixi Rd. Science Park, Nanshan District, Shenzhen, PRC 518057  
 Tel: (86) 0755-2661 5378 Fax: (86) 0755-2661 5758  
 www.solenoidpump.com.cn marketing@micropump.com.cn  
 www.micropump.com.cn