

Solenoid Pump CSM Series Model: CSM-04035

PRODUCT INFORMATION

Pump Design Solenoid (Piston) Pump
Insulation Class "F" for TUV, Class "H" for UL
Net Weight 0.13 Kg
Outlet Connector Barb port / Thread
Recognition TUV , UL

PERFORMANCE SPECIFICATIONS

COIL MOTOR

- CSM-E04035 220~240 VAC, 50Hz , 20W
- CSM-U04035..... 120 VAC, 60Hz , 20W
- CSM-J04035..... 100 VAC, 50/60Hz , 20W

Ideal fluid Water at 25°C

Ambient temperature 60 °C

Flow rate at 0 bar..... 200 cc/min

Obstructed pressure 3.5 BAR (50.75 PSI)

Suitable to dry-use only during priming

Laboratory test condition..... ED:100%, Ta:60°C,Tf:35°C
 ED100%: work continuously
 Ta: Ambient temperature
 Tf: Temperature of fluid water

* Table 1

XX – The Code of Flow Rate (FR) Table

XX	FR (cc/min)
01	60
02	80
03	150
04	200

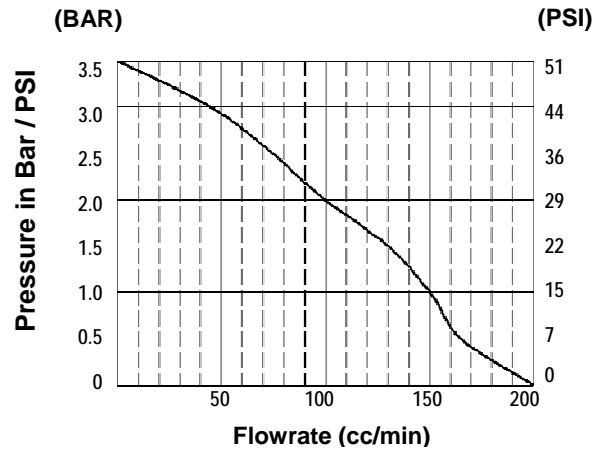
* Table 2

YYY – The Code of Pressure(bar) table

YYY	Pressure (BAR)	YYY	Pressure (BAR)
025	2.5	045	4.5
030	3.0	048	4.8
035	3.5	060	6.0
040	4.0		

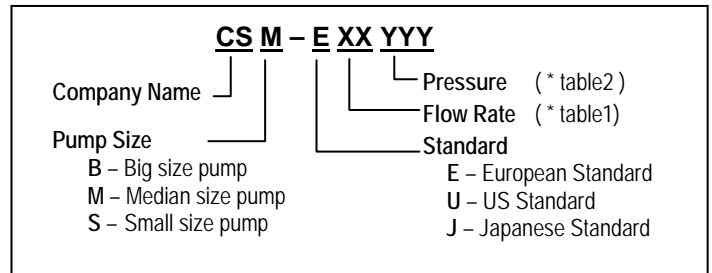
PRESSURE – FLOW RATE CURVE

Model: CSM-04035



Note : - All the performance are intended with a tolerance $\pm 15\%$
 - Water 20°C, Ambient 25°C

STANDARD MODEL NUMBERING SYSTEM

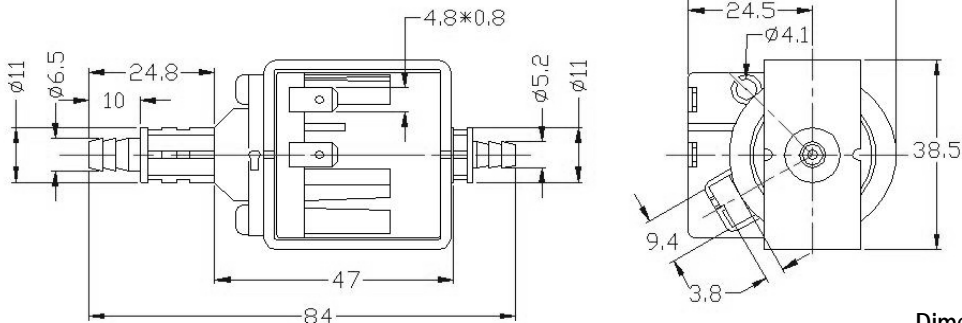


APPLICATIONS

- Espresso coffee machine
- Steam generator
- Steam Iron
- Steam vacuum cleaner
- Disco smoke generator

Mechanical Drawing & Dimension

Model: CSM-04035



Dimensions: millimeters



華星企業香港有限公司
China Star Enterprise Hong Kong Ltd.
 中山華通五金塑料制品有限公司

地址：香港柴灣安業街八号合明工业大厦十四楼C座
 深圳代表处：深圳市南山科技园，科智西路5号，25栋二段三楼 518057
 Add: South - 3/F, 25# Building, 5 Kezhixi Rd. Science Park, Nanshan District, Shenzhen, PRC 51805
 Tel: (86) 0755-2661 5378 Fax: (86) 0755-2661 5758
 www.solenoidpump.com.cn info@solenoidpump.com.cn