

Solenoid Pump CSM Series Model: CSM-04060

PRODUCT INFORMATION

Pump Design Solenoid (Piston) Pump
Insulation Class "F" for TUV, Class "H" for UL
Net Weight 0.13 Kg
Outlet Connector Barb port / Thread
Recognition TUV , UL

PERFORMANCE SPECIFICATIONS

COIL MOTOR

- CSM-E04060 220~240 VAC, 50Hz , 20W
- CSM-U04060..... 120 VAC, 60Hz , 20W
- CSM-J04060..... 100 VAC, 50/60Hz , 20W
- CSM-K04060..... 220 VAC, 60Hz , 20W

Ideal fluid Water at 25°C

Ambient temperature 60 °C

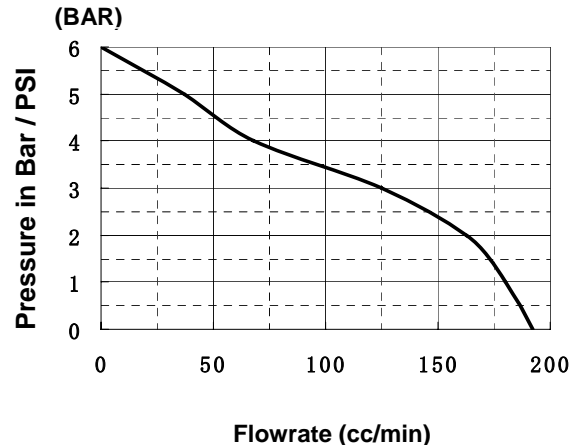
Obstructed pressure 6 BAR (87 PSI)

Suitable to dry-use only during priming

Working Condition & Cycle...Ta within 60°C, Tf within 35°C ,
 At this condition can work continuously.
 Ta: Ambient temperature
 Tf: Temperature of fluid water

PRESSURE – FLOW RATE CURVE

Model: CSM-04060



Note: - All the performance are intended with a tolerance $\pm 15\%$
 - Water 20°C, Ambient 25°C

* Table 1

XX – The Code of Flow Rate (FR)

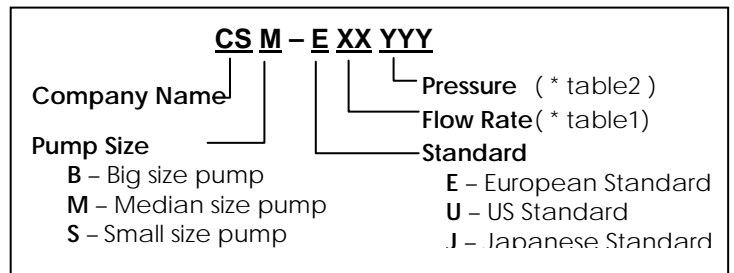
XX	FR (cc/min)
01	60
02	80
03	150
04	200

* Table 2

YYY – The Code of Pressure(bar)

YYY	Pressure (BAR)	YYY	Pressure (BAR)
025	2.5	045	4.5
030	3.0	048	4.8
035	3.5	060	6.0
040	4.0		

STANDARD MODEL NUMBERING SYSTEM

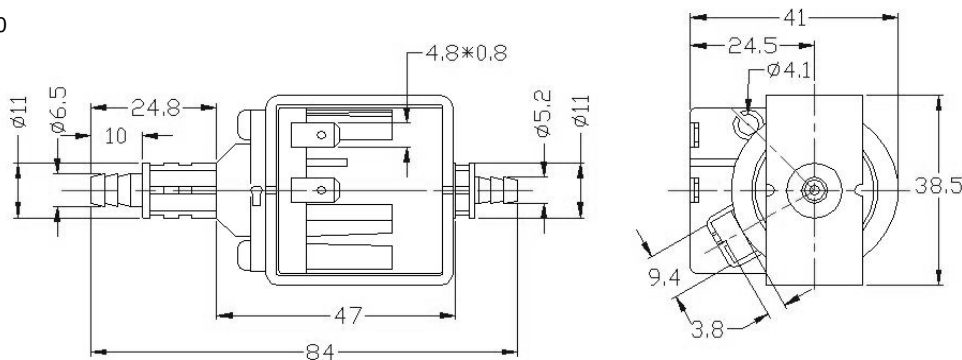


APPLICATIONS

- Espresso coffee machine
- Steam generator
- Steam Iron
- Steam vacuum cleaner
- Disco smoke generator

Mechanical Drawing & Dimension

Model: CSM-04060



華星企業香港有限公司
 China Star Enterprise Hong Kong Ltd.
 中山華通五金塑料制品有限公司

地址：香港柴灣新業街 8 号八号商业广场 8 楼 8 0 1 室
 深圳代表处：深圳市南山科技园，科智西路 5 号，25 栋二段三楼 518057
 Add: South - 3/F, 25# Building, 5 Kezhixi Rd. Science Park, Nanshan District, Shenzhen, PRC 51805
 Tel: (86) 0755-2661 5378 Fax: (86) 0755-2661 5758
 www.solenoidpump.com.cn info@solenoidpump.com.cn