

# Solenoid Pump CSS Series Model: CSS-04025

## PRODUCT INFORMATION

**Pump Design** ..... Solenoid (Piston) Pump  
**Insulation** ..... Class "H" for TUV  
**Net Weight** ..... 0.110Kg  
**Outlet Connector** ..... Barb port / Thread  
**Recognition** ..... TUV

## PERFORMANCE SPECIFICATIONS

### COIL MOTOR

- CSS-E04025 ..... 220~240 VAC, 50Hz, 16W
- CSS-U04025 ..... 120 VAC, 60Hz, 16W
- CSS-J04025 ..... 100 VAC, 50/60Hz, 16W

**Ideal fluid** ..... Water at 25°C

**Flow rate at 0 bar** ..... 50 cc/min

**Obstructed pressure** ..... 3.0Bar (36.25PSI)

**Suitable to dry-use only during priming**

**Working Condition & Cycle**... Ta within 45°C, Tf within 35°C,  
 At this condition can work continuously.  
 Ta: Ambient temperature  
 Tf: Temperature of fluid water

\* Table 1

XX - The Code of Flow Rate (FR) Table

XX	FR (cc/min)
01	50
02	100
03	150
04	200

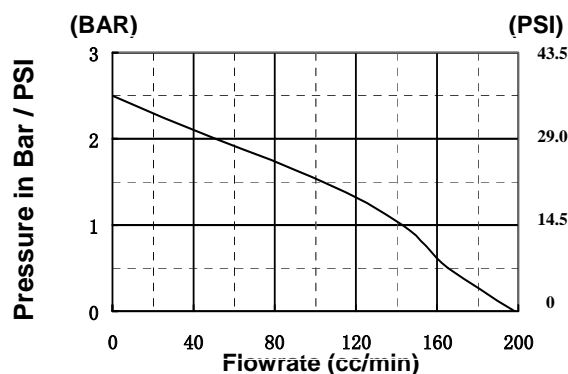
\* Table 2

YYY - The Code of Pressure(bar) table

YYY	Pressure (BAR)	YYY	Pressure (BAR)
010	1.0	030	3.0
015	1.5	035	3.5
020	2.0	040	4.0
025	2.5		

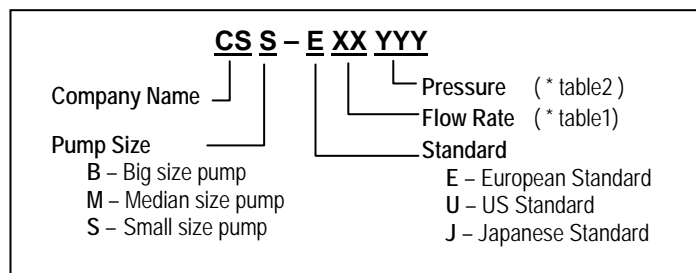
## PRESSURE - FLOW RATE CURVE

Model: CSS-04025



Note : - All the performance are intended with a tolerance  $\pm 15\%$   
 - Water 20°C, Ambient 25°C

## STANDARD MODEL NUMBERING SYSTEM

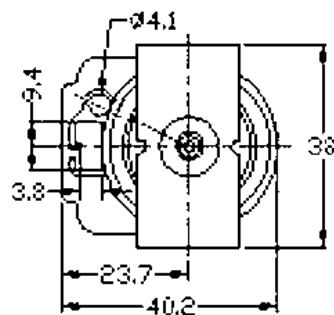
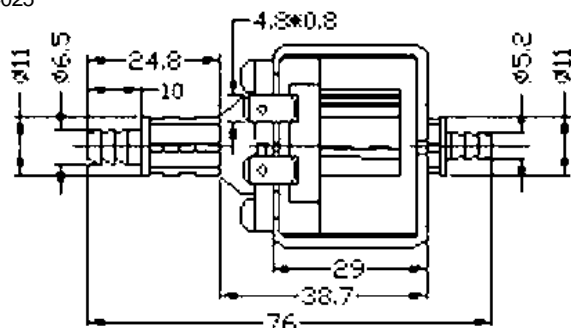


## APPLICATIONS

- Espresso coffee machine
- Steam generator
- Steam Iron
- Steam vacuum cleaner
- Disco smoke generator

## Mechanical Drawing & Dimension

Model: CSS-04025



Dimensions: millimeters



**華星企業香港有限公司**  
 China Star Enterprise Hong Kong Ltd.  
 中山華通五金塑料制品有限公司

地址：香港柴灣安業街八號合明工業大廈十四樓 C 座  
 深圳代表處：深圳市南山科技园，科智西路 5 号，25 栋二段三樓 518057  
 Add: South - 3/F, 25# Building, 5 Kezhixi Rd. Science Park, Nanshan District, Shenzhen, PRC 51805  
 Tel: (86) 0755-2661 5378 Fax: (86) 0755-2661 5758  
 www.solenoidpump.com.cn info@solenoidpump.com.cn